

930573 POWERLED CONVERTER 8W 350 mA IP54



Article	Code	P out W	V out DC ⁽¹⁾	I out DC	U out V	ta °C	tc °C	I max. Power Factor	h max. Efficiency ⁽¹⁾
DC 8W 350mA STCP/U	122806	6/8 ⁽²⁾	2...23	350 mA cost.	25	-25...+50 ⁽²⁾ /55	75	0,6 C	77 %

⁽¹⁾ Referred to $V_m = 230$ V, 100% load

Rated Voltage

100 ÷ 240 V

Frequency

50-60 Hz

AC Operation range

90 ÷ 264 V

DC Operation range

176 ÷ 264 V

Power

0 ÷ 8 W

iTHD

≥ 90%

Output current ripple

≤ 3%

In rush current

20A 170µsec

Standards compliance

CSA C22.2 no. 223 ⁽³⁾

EN 55015

EN 61000-3-2

EN 61000-3-3

EN 61347-1

EN 61347-2-13

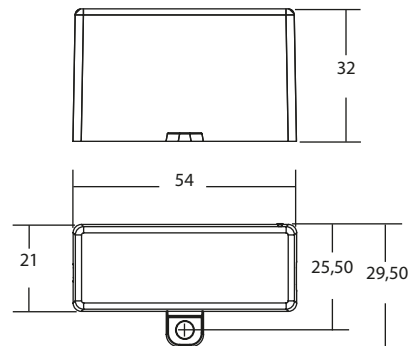
EN 61547

UL 1310 ⁽³⁾

UL 8750 ⁽³⁾

VDE 0710-T14

CASE **IP 54** Weight gr. 65 / 2,29 oz.



Wiring diagram

